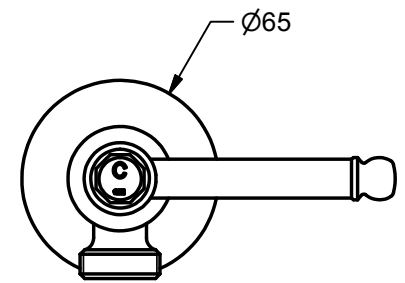
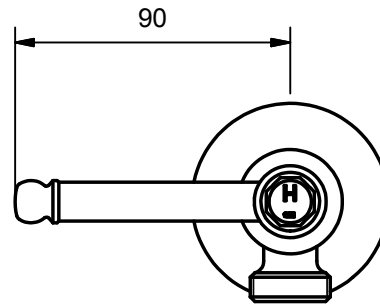
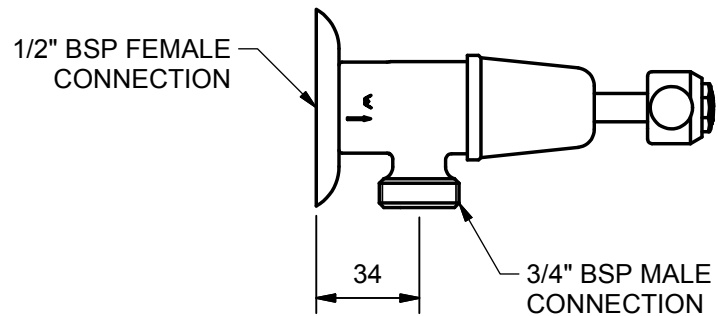


PRICED AND PACKED IN PAIRS



Headworks Available:
Ceramic Disc 1/4 Turn (Standard)

Max Pressure: 1000kpa
Min Pressure: 150kpa

Max Temp: 80°c



As part of Ramtaps commitment to quality products, Ramtaps reserves the right to alter the design or specification of it's products without notice.

RAMTAPS PTY. LTD.
556 Curtin Ave. East. Eagle Farm 4009.
Ph. (07) 3633 6000. Fax (07) 3633 6050.

© 2009 All dimensions in mm.
This drawing remains the property of Ramtaps and should not be copied or distributed without Ramtaps consent.

<i>Title</i>		DORSET LEVER WASHING MACHINE TAP	
<i>Code:</i>	DLCDWMCCP	<i>Edition</i>	01
		<i>Date of Issue:</i>	17/03/2011